

# AVISTA LED Light Engine

U.7.11.14

**APPLICATION:**

LED Light engine for use in post top mount area and pedestrian environments. Designed for new fixtures or existing as a retrofit.

**INSTALLATION:**

Height adjustable Light Engine - Can be field adjusted to optimal performance. LED retrofit kit mounts to many existing luminaires.

**ELECTRICAL:**

- Automatic AC incoming voltage sensing 120–277
- Over voltage and short circuit protection
- 10kv surge protector

**CONSTRUCTION:**

- Anodized Aluminum Heat Sink
- IP66 Rated
- Cast aluminum fitter plate provided
- Sealed LED chamber and optics

**DISTRIBUTION:**

SY - Symmetric  
AS - Asymmetric

**EFFICACY:**

Up to 100 lumens/ watt

**NOMINAL INPUT POWER:**

41W, 60W

**CCT:**

3000K, 4000K, 5000K

**LIFE:**

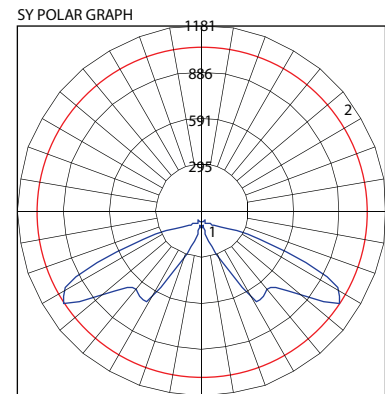
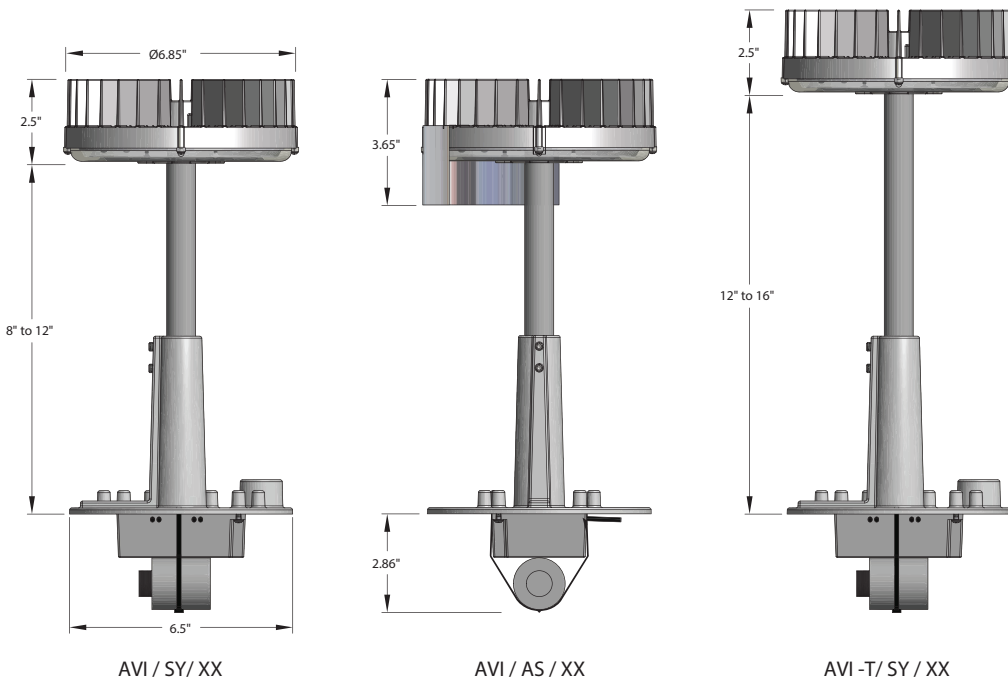
50,000+ hours



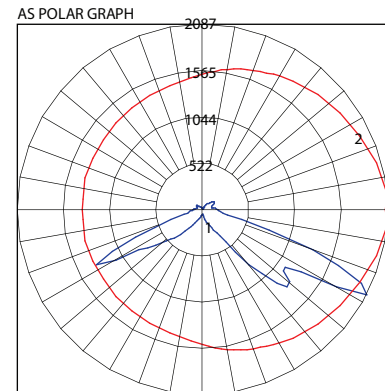
AVI  
LED



PROJECT:  
  
TYPE:



Maximum Candela=1181 Located At Horizontal Angle=0, Vertical Angle=60  
# 1 - Vertical Plane Through Horizontal Angles (0 - 180) (Through Max. Cd.)  
# 2 - Horizontal Cone Through Vertical Angle (60) (Through Max. Cd.)



Maximum Candela = 2087 Located At Horizontal Angle = 5, Vertical Angle = 62.5  
# 1 - Vertical Plane Through Horizontal Angles (5 - 185) (Through Max. Cd.)  
# 2 - Horizontal Cone Through Vertical Angle (62.5) (Through Max. Cd.)

**Ordering Information**

Model	Light Distribution	Code	CCT	CRI	Approx. Lumens Delivered	Nominal Input Power
AVI AVI-T	SY (Symmetric)	3H	3,000K	80	4,450 lm	60W
		4H	4,000K	80	5,100 lm	
		5H	5,000K	80	5,870 lm	
	AS (Asymmetric)	3H	3,000K	80	4,410 lm	
		4H	4,000K	80	5,050 lm	
		5H	5,000K	80	5,810 lm	
	SY	3L	3,000K	80	2,940 lm	41W
		4L	4,000K	80	3,460 lm	
		5L	5,000K	80	4,070 lm	
	AS	3L	3,000K	80	2,910 lm	
4L		4,000K	80	3,420 lm		
5L		5,000K	80	4,030 lm		



10 year limited warranty  
AMERLUX LED

Part String

Example: AVI / SY / 3H

Representante Exclusivo

BHP Energy México S. de R.L de C.V

Bosque de Duraznos #69 - Torre B 1107-A, Col. Bosques de las Lomas, México DF. 11700

Tel: +52 55 5251 2008 / info@bhpenergy.mx / ventas@bhpenergy.mx / www.bhpenergy.mx

